

# Hawk eye FPV FPV GOGGLES V2

## 1. Specifications and Features:

LED Screen	Display resolution	800×480
	Backlight	LED
	Brightness	1000 Lux
	Aspect ratio	16:9 / 4:3
	Response time	<10ms
	Color system	PAL/NTSC
Input	Signal	Video (PAL/NTSC)
Specification	Gross weight	280g
	5.8G Sensitivity	-94dB
	magnifying power	2.5 times
Video RAM	Resolutions	PAL: 720*288 ;NTSC: 720*240
SD Card		8-32G C10

## 2. Frequency Group Selection:

	A	B	E	F	R	L
1	5865	5733	5705	5740	5658	5362
2	5845	5752	5685	5760	5695	5399
3	5825	5771	5665	5780	5732	5436
4	5805	5790	5645	5800	5769	5473
5	5785	5809	5885	5820	5806	5510
6	5765	5828	5905	5840	5843	5547
7	5745	5847	5925	5860	5880	5584
8	5725	5866	5945	5880	5917	5621

## 3. Recording:

1. Insert SD card, 8-32G, C10. **Note: It is recommended to equip a SD card separately and do not mix it with other equipment. Suggest Micro SD Card : Sandisk C10.**
2. Format SD card in the monitor for the first time to use.
3. Make sure you are in FPV interface.
4. Press Record / OK button, an red R will be shown:



5. Press again to stop record.
6. **Note: In Snow signal, the DVR won't record; until the video is in.**
7. When in External video interface, the monitor will record the external video.
8. **Note: The video was buffer in to the SD card, when the wireless signal is not stable, it will cause frame drop.**
9. **Note: How to format SD card please bar code check below. When format the SD card, the little pilot will allocate the storage of the SD card. When you check on computer, the SD card will show "full", that's normal, KEEP CALM.**

## 4. Bad SD Card:

When detected bad SD card, the Little Pilot will pop up a menu; Please power off and then change a good SD card(Sandisk C10).

Bad SD Card, Please Restart & Change!

坏SD卡, 亲! 请关机后更换!

## 5. Video Buffer Playback:

In FPV interface, press and hold - button for 2 seconds, the monitor switch to DVR interface . You can use Record/OK button to playback the video . Press Menu button to delete current file , Record/OK button to confirm.

Video buffer is only designed to track the lost drones.The video quality is not so good.**We suggested: VLC Player on computer.**

## 6. FAQ:

**Note: Reset all the settings in the menu if you meet any problem.**

**Not able to search channels automatically:**

- Auto channel scan only functions in the FPV interface.

**The video displayed is black-and-white:**

- Check whether the camera output is black-and-white (some cameras might automatically shift to black-and-white in low-light conditions)

**Can not power on:**

- Hard Reset the machine by pressing the reset button .

**No channel can be received:**

- Install antennas, and move the monitor close to the 5.8 GHz transmitter.
- Connect video signal to the transmitter.

**Voltage and time do not display:**

- Make sure the OSD is "ON" .
- Reset the monitor.

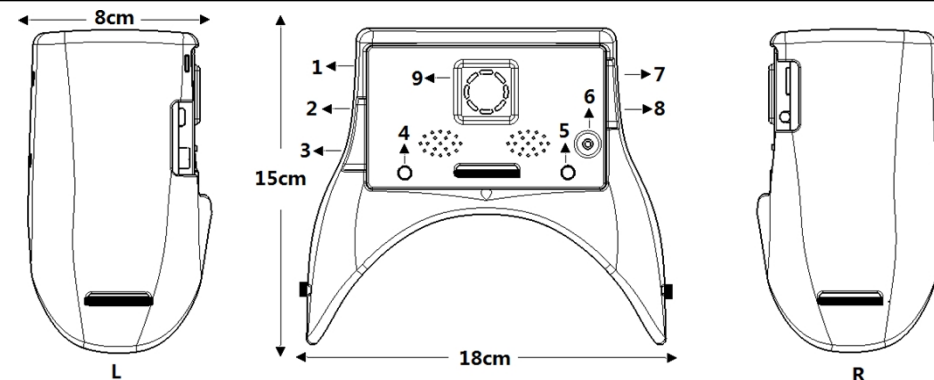
**Frame Drop in playback:**

Its normal case. When the wireless signal is not stable, it will cause frame drop.Video buffer is only designed to track the lost drones.

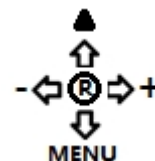
**Playback on computer:**

- Please set the player to 4:3 size.
- Player we suggested: VLC Player.

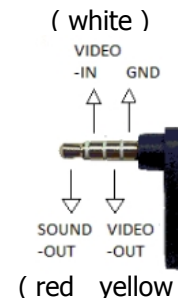
**7. Scan for new firmware:**



- 1.Power Button
- 2.Type-c port (5V-26V, 2A current output is required for 5V power supply)
- 3.XT30 port (2S-6S)
- 4.RP-SMA port
- 5.RP-SMA port
6. Multi-Function button



7. SD card slot
- 8.Video out/input
9. Cooling fan



Button name	Function	Shortcut function
	▲ : Ruler line/menu up	
	--: menu-	Switch channel
	+: menu+	Switch channel
	MENU: enter menu/menu down	Press 2 seconds for auto search in FPV
	R: start/stop record/confirm format	